

2018

Parts Pricing

PENNSYLVANIA
SCALE  COMPANY

Parts Pricing

TO CONFIGURE UNIVERSAL BOARD FOR CORRECT DISPLAY AND KEYPAD FUNCTIONS:

IMPORTANT: Boards are flashed for every model; 7600+ is default, including EXP series which runs commonized software.

To turn on display and keyboard functions for each specific model as follows:

1. Install board and power up, watching the LED display(s)
2. Press and hold CAL SELECT button located near the load cell terminal block of the PC board until a model number is displayed, then release
3. Tap through the various model settings in sequence, watching the display—7600, 7600E, 7100, 7200, 7300 (ALSO M64), 7400, 7500, etc.
4. When the desired model number is displayed, let the unit time out (approx. 3 seconds) and display will be configured for the correct model.

ACCESS CODE:

PLUS+ Series PC boards (since 2004) are password protected for metrological settings. They display an AUDIT TRAIL on entry to calibration indexing the number of consecutive program changes (P X) and calibration changes (C X). The default ACCESS CODE is 0000. On exit from calibration, you can change to a unique 4-digit number for future access—it is important to remember this number for the next calibration.

NOTE: Areas in the following tables specifying “7X00” indicate parts that are interchangeable throughout the 7000 family series of products. Those indicating 7300, 7400, 7500, 7600, 7600E – whether scales or indicators – are model specific.

All PC boards are flashed to support all models and interchangeable to a degree. However, there are a few hardware differences that are model specific for options and I/O as noted. For details, call 800.233.0473.

P.C. BOARDS (EXCEPT DISPLAY BOARDS)

Main Board p/n	Application	Notes:	Price – C Discount
57807	M64, 7300 and 7500 Scale/Indicator standard Main board	For universal replacement, use p/n 57817 (see below)	\$375 C
57807-1	7300 WITH USB feature	n/a Time and Date – Contact factory	\$375 C
57817	Universal replacement for 7X00 AC applications. Includes time/date and nylon standoffs (for pre-PLUS+ series applications)	Retrofits old-style board (with certain exceptions, contact factory)	\$425 C
57812	AC/DC versions only 7X00 applications using integrated 12 VDC battery pack	Plus+ Series only.	\$475 C
57809	7600 Scale/Indicator standard Main board	Use 57817 for old board replacement.	\$425 C
57819	7400 and 7600E and EW Indicators, ALL SSR-DCR APPLICATIONS, ALL AC APPLICATIONS and others using Ethernet option	I/O screw terminals for (2) digital outputs and expanded batch features	\$450 C
57863	DC 12/24 input Main Board units 7X00 series – PA-style units	DC-input units only	\$375 C
57864	AC/DC versions 7400 and 7600E Indicators using integrated 12 VDC battery pack	AC/DC Battery-powered units only	\$495 C
57511	EXP ONLY MAIN BOARD includes displays and USB input module	Fits all (3) models 7400EXP, 7500EXP, 7600EXP ONLY	\$375 C
57115	6600 4-cell Summing/Junction Board	Universal fit all 4 load cell systems; excitation trim	\$69 C

See Appendix, page 8

OPTION BOARDS

p/n	Application	Notes:	Price – C Discount
57834	DB Dual Base KIT OF PARTS for 7600+ Indicators and Scales; 7600E 2-base summing applications	Kit of parts complete including board, standoffs, jumpers, and all components for field installation	\$275 C
57810	DB Dual Base BOARD only for field replacement applications	Requires (3) 57833 snap standoffs – n/c	\$225 C
57811	AO Analog Output option PC board, jumper select 4 – 20 mA or 0 – 10 VDC proportionate output	2-post screw terminals for connections – ALL MODELS. Requires (3) 57833 snap standoffs – n/c	\$250 C
57818	SSR AC – RELAY OPTION BOARD for 7400, 7600E, and other applications	Requires (2) 57856 aluminum standoffs – n/c. AC DEVICE CONTROL	\$395 C
57880	SSR DC – RELAY OPTION BOARD for 7400, 7600E, and other applications	Requires (2) 57856 aluminum standoffs – n/c.	\$375 C
57869A	TCP-IP Option REPLACEMENT BOARD ONLY – (contact factory). Includes Xport module.	Lantronix Xport module includes software license, I.P. address (configurable) – FACTORY INSTALLED ONLY	\$475 C
COMING SOON	EO – Ethernet Option – fits 7400, 7600E, and Emery Winslow models – FACTORY INSTALLED ONLY	LATE RELEASE – CONTACT FACTORY	Contact Factory

DISPLAY BOARDS

p/n	Application	Notes:	Price – C Discount
57512-3	7500+ and 7600+ Scale and Indicators – all models	RED high intensity LED display. Specify if LED block labels are to be included	\$140 C
57447R 57447-GREEN	Remote display including M64 includes BUTTONS, RED LED's	(R) = RED high intensity LED's. Also available as GREEN LED's – specify with order	\$145
57422-1R 57422-1-GREEN	Remote display W/O BUTTONS, RED LED's	(R) = RED high intensity LED's. Also available as GREEN LED's – specify with order	\$75 C
57422-4	7300 Scale – all models Note: RED only	(R) = RED high intensity LED's.	\$75 C
57511	EXP Indicator series – Display is included on main board	EXP-only board fits 7500EXP, 7600EXP, and 7400EXP	\$375 C

MYLAR OVERLAYS – FRONT PANEL SWITCH ASSEMBLIES

p/n	Application	Notes:	Price – C Discount
57514	7600+ and 7600EXP Keypad Overlay – Scales and Indicators including 7600EXP	All models – Full keypad/expanded features. Fits all models.	\$79 C
57564	7500+ and 7500EXP Keypad Overlay – Scales and Indicators including 7500EXP	4-button front, ZERO, SAMPLE SET, UNITS, PRINT	\$59 C
57820	7400 Keypad Overlay + Emery Winslow 7400 models and 7400EXP	5-button front: ZERO, UNITS, TARE, G-T-N, PRINT	\$65 C
57860	7600E Keypad Overlay + Emery Winslow 7600E models only	Full numeric keypad, expanded features. Not for 7600+ models.	\$79 C
57409-8	M64, REM DIS., and 7300 Remote Display versions WITH BUTTONS for ZERO, UNITS, PRINT	Smoke lense- works with both GREEN and RED LED displays	\$45 C
57409-9	M64, REM DIS., and 7300 Remote display WITHOUT BUTTONS	Buttons n/a version.	\$30 C
57409-2	M64 and REM DIS. WITH BUTTONS for ZERO, ADVANCE, PRINT	Center button is labeled ADVANCE	\$32 C
57408-7	7300 Series, buttons ZERO, UNITS, PRINT	For older units (pushbutton through housing) revisions, add p/n 46090-8 strip post connector n/c – for upgrade to current design	\$35 C

EXP SERIES INDICATOR PARTS – EXP ONLY AS NOTED

p/n	Application	Notes:	Price – C Discount
57511	EXP MAIN BOARD includes displays and USB input module	Fits all (3) models 7400EXP, 7500EXP, 7600EXP; DC power via USB	\$375 C
57575	Keypad backing plate	Common to 7500/7600 bench scale models as well	\$45 C
57675-1*	EXP Quick disconnect cable assembly	CPC connector to main board for load cell connection	\$45 C
57867	Knob (2) required	Common to all indicator models	\$12.50 C (2) required
61001	SS U-bracket wall or desk-mount	EXP models only	\$45 C
61002	USB cable assembly for power and data	8' length	\$12.50 C
61003	USB-to-AC Adaptor	Standard AC to DC plug	\$35 C
Contact Factory	DC EXTERNAL POWER PACK – 20,000 mA for portable DC applications	Recharge with standard micro connector	Contact Factory
57514	7600EXP Keypad Overlay	Common to all 7600 applications	\$79 C
57564	7500EXP Keypad Overlay	Common to all 7500 4-button front applications	\$59 C
57820	7400EXP Keypad Overlay	Common to all 7400 5-button front panel applications	\$65 C
56110-1	Sealing Screw		\$4.95 C
22300	Carton & Inserts		\$20 C

*See diagram on back cover.

BATTERIES – AC/DC UNITS ONLY

p/n	Application	Notes:	Price – C Discount
57513-1	12 Volt Gel Cell	All 7X00 PLUS+ applications	\$95 C

CONNECTORS

p/n	Application	Notes:	Price – C Discount
47451-1	Compression fitting for power cord #3214 Heyco w/nut	Back panel – indicators	\$4.95 C
48673-1	Compression fitting #3210 Heyco w/nut	Back panel – indicators	\$4.15 C
44766	2-Pin Power connector, nylon	Included n/c with 57434 10' HD AC line cord	\$1.50 C
46091	Sq. Flange Receptacle Amp 205841-1	Indicators and DB male service connector for load cell input	\$12.95 C
48445	Field Load Cell Connector Kit	Pins, shell, body, strain relief in field install kit – all quick disconnect applications. For assembly with 20' home run cable see 48817-5	\$30 C
46096	Plug Receptacle Amp 205838-1	Female body of 48445 only	\$12 C

LEVELING FEET

p/n	Application	Notes:	Price – C Discount
10402-20	Leveling Foot, 7X00 series	All Bench Scales includes jam nut, thread: ¼-20 UNF x 1" high	\$4.95 C
10402-30	Leveling Foot, SS6200	SS applications includes jam nut, thread: ¼-20 UNF x 1" high	\$12.95 C
49025-3A	Leveling Foot, 6400 and M64 Note: SOLE SOURCE FOR THIS ITEM	All M64 and 6400 applications includes jam nut. Thread 7/16-13 UNF, 1-1/4" high	\$20 C
49737-6	M6600, M6900, ½-20 UNF, Plated, 2" base diameter, 2-1/2" high	Standard Floor Scales 1, 2, 5, and 10K up to 60" x 60" 10K capacity	\$29 C
49737-7	SS6600, SS6900, ½-20 UNF, SS, 2" base diameter, 2-1/2" high	SS Floor Scales 1, 2, 5, and 10K	\$65 C
49737-30	EVO ball-foot, Leveling Foot Assembly, ½-20 UNF, 2" base diameter, 1/2"-20 UNF Threads	Carbon Ball Foot w/SS slotted stud and wrench flats – fits 1, 2, 5, and 10K applications SESB load cells	\$59 C
49737-8	M6600 w/Forklift Option, ½-20 UNF, 2" base diameter, 3-3/4" high	MS Floor Scales 1, 2, 5, and 10K with Forklift application	\$45 C
49737-9	SS6600 w/Forklift Option, ½-20 UNF, 2" base diameter, 3-3/4" high	SS Floor Scales 1, 2, 5, and 10K with Forklift application	\$75 C
49737-18	M6600 (old style) ½-20 UNF, 3" base diameter, 2-7/8" high	Replaces M6600 with 3" base	\$59 C
49737-2	M6600 20K, 3/4-16 UNF, 3" base, 3-1/4" overall height	20K applications 5K/10K LE load cells	\$69 C
49737-4	SS6600 20K, 3/4-16 UNF, 3" base, 3-1/4" height	SS 20K applications 5K/10K LE load cells	\$95 C
49737-15	M6600 w/Forklift Option, 3/4-16 UNF, 3" base, 6" high	20K w/Forklift Option	\$85 C
49737-19	M6600 30/40K applications, 1-14 UNF, 3" base, 3-1/4" high	30K/40K scales with 1-14 UNF through hole at live end	\$95 C
49737-20	SS6600 30/40K applications, 1-14 UNF, 3" base, 3-1/4" high	SS 30K/40K scales with 1-14 UNF through hole at live end	\$135 C

MISCELLANEOUS ITEMS

p/n	Application	Notes:	Price – C Discount
48230	Fish eye Level	Replacement, all series	\$15.95 C
56110	Fillister head SS Sealing Screw	7X00 Indicators	\$4.95 C
56733-1	Rigid Wheel w/Brake, unique 7/16-13 UNF threaded stud w/ jam nut	6400/M64 only. Fixed non-swivel caster replacement Note: See p/n 56733 for kit of all (4)	\$49 C
56733-2	Swivel Wheel, unique 7/16-13 UNF threaded stud w/ jam nut	6400/M64 only. Swivel caster replacement item Note: See p/n 56733 for kit of all (4)	\$49 C
57566A	Display Casting, 7500 and 7600 scales, Remote display	Black texture finish	\$75 C
57575	Keypad Backing Plate	Fits all 7500 and 7600 bench scales + EXP series indicators	\$45 C
57867	Knob (2) required	Common to all indicator models + Universal replacement item for others	\$12.50 C (2) required
10657	Carton + Foam Inserts, 7500, 7600, 7300 and 7000 12" x 14"	Complete shipping carton kit	\$65 C
22280	Carton + Foam Inserts, all indicators (except EXP) and 7000-2/5 lbs.	Complete shipping carton kit	\$35 C
22300	Carton + Inserts, all EXP Indicators	EXP series only shipping carton kit	\$20 C

PLATFORMS AND PLATFORM COVERS

p/n	Application	Notes:	Price – C Discount
48105-11	8 x 8" Platform, 7X00	2 + 5 lbs. applications, Aluminum alloy	\$75 C
49892-1	8" Sub Platform	2 + 5 lbs. applications, Aluminum alloy	\$25 C
57583	Platform, SS, 7X00, 12 x 14"	10 – 200 lbs. applications, SS	\$85 C
57563	12 x 14" Sub Platform, 7X00	All 12 x 14" bench scales, Cast aluminum	\$95 C
56726-1	SS Platform cover, 18 x 24"	6400 + M64 applications, 12 gage SS	\$295 C
56726-2	SS Platform cover, 24 x 24"	6400 + M64 applications, 12 gage SS	\$325 C
56726-5	SS Platform cover, 18 x 18"	6400	\$275 C
59004	MS Platform cover, 24 x 24"	6400, black texture powder coat	\$159 C
59014	MS Platform cover, 18 x 24"	6400, black texture powder coat	\$159 C
59123	MS Platform cover, 18 x 18"	6400, black texture powder coat	\$125 C

FUSES

p/n	Application	Notes:	Price – C Discount
57827	1/2A Slow Blow	Standard 7X00 applications	\$4.95 C
57826	1/8A 220-240 VAC Slow Blow	220 VAC applications only	\$4.95 C

CABLES

p/n	Application	Notes:	Price – C Discount
48817-10E	10' Extension Cable for load cell extension	Mating connectors each end	\$80 C
48817-5*	20' Load Cell Cable assy. 6600	6600 applications – CPC connector assembled to 20' cable/tinned leads	\$89 C
48817-4	10' Load Cell Cable assy. 7X00	7X00 Bases	\$95 C
48817-30	30' Load Cell Cable assy. 6600	Standard cable – 30' length	\$100 C
48817-40	40' Load Cell Cable assy. 6600	Standard cable – 40' length	\$125 C
48817-50	50' Load Cell Cable assy. 6600	Standard cable – 50' length	\$150 C
48817-XX	Custom Load Cell Cable assy. 6600	Specify length	Consult Factory
56745	USB to 9-pin male Computer Cable	Straight through, 6' length, RS-232 Computer	\$59 C
56746	RS-232 9-pin male to 9-pin Female Computer Cable	Straight through, 6' length	\$59 C
57015	6-Conductor shielded Load Cell cable	Priced per inch, custom lengths	\$0.25 C
57416-6	Display Cable, 10' length	M64 and 7X00 Scales and Indicators	\$45 C
57432-1	Remote Display Cable, 6' length	Wall/Bench remote displays	\$89 C
57432-4	Remote Display Cable, 6' length	Clamshell (cast display either primary or secondary display)	\$85 C
57675	CPC-to-Main PCB Cable for all 7X00+ Indicators	Load cell jumper cable assy	\$45 C
57836-1	AC/DC 7X00 Wiring Harness	AC/DC applications only Note: For indicators, requires (1) each p/n 57858 + 57859 listed below)	\$65 C
57858	AC/DC Switch for Indicators	Touch switch display on/off	\$29 C
57859	Sealed Plastic Switch Cover	For 57858 – Indicators only	\$12 C
57837	6' RS-232 for 7X00 Indicators, Tinned leads to DB9F	RS-232 connections PLUS+ Series	\$65 C
57844	6' RS-232 for 7X00/4, Tinned ends to Female DB9F	All Indicators	\$65 C
57847	6' RS-232 for 7X00/4, Tinned ends to Female DB9M	All Indicators	\$65 C
59260	10' Y-Cable for M64 Dual Displays	Standard M64 and 59266 Remote Displays (2) to single connection	\$195 C

*See diagram on back cover.

AC POWER LINE CORD

p/n	Application	Notes:	Price – C Discount
57434	10' AC Heavy Duty Line Cord	All 7X00 – requires (1) 44766* n/c	\$25 C
*44766	2-Pin Power connector, nylon	Included n/c with 57434 10' HD AC line cord	\$1.50 C

LOAD CELLS 7000 SERIES SCALES & BENCH SCALES

Note: Standard p/n is furnished with shortened cable and includes strip post connector (plug & play into main board or mating cable). Scaime AG series. ALSO AVAILABLE with: 10' fixed cable. Specify on order.

For RENTAL SCALE APPLICATIONS, contact factory for special pricing

p/n	Capacity in lbs.	Capacity in kgs	Price – C Discount
57403-5A	2 and 5 lbs. capacity models replacement cell	2.5 kg	\$175 C
57403-10A	10 lbs. capacity replacement	10 kg	\$175 C
57403-20A 57403-25A	20 and 25 lbs. capacity models replacement cell	15 kg	\$175 C
57403-50A	50 lbs. capacity	30 kg	\$175 C
57403-100A	100 lbs. capacity	50 kg	\$175 C
57403-150A 57403-200A	150 and 200 lbs. capacity models replacement cell	100 kg	\$175 C
49667	Load Cell Spacer	Fits all models	\$4.95 C

6200 LOAD CELLS

Note: Load cell footprint is interchangeable with Scaime AG cell noted above (7000 series).

Tedea 1042 Single Point load cells used in all applications

p/n	Capacity in lbs.	Capacity in kgs	Price – C Discount
57870-10	10 lbs. models	7 kg	\$250 C
57870-25	25 lbs. models	15 kg	\$250 C
57870-50	50 lbs. models	30 kg	\$250 C
57870-100	100 lbs. models	50 kg	\$250 C

M6400 AND SS6400 LOAD CELLS

Tedea 1260 or equal includes load cell mating connector (n/a if specified)

p/n	Capacity in lbs.	Capacity in kgs	Price – C Discount
59126-1	100 lbs.	75 kgs	\$295 C
59126-2	250 lbs.	150 lbs.	\$295 C
59126-3	500 lbs.	250 kgs	\$295 C
59126-4	1000 lbs.	500 kgs	\$295 C

M64 LOAD CELLS – MODIFIED FOR USE IN BAGGAGE SCALE PLATFORMS

p/n	Capacity in lbs.	Capacity in kgs	Price – C Discount
59261-500	500 lbs.	250 kgs	\$350 C
59261-1000	1000 lbs.	500 kgs	\$350 C

M64-2424 BAGGAGE SCALES

p/n	Application	Notes:	Price – C Discount
59266-2	Complete DISPLAY assembly Specify GREEN LED's (standard) or RED LED displays. Includes SS bezels, display assys., Y-cable – all items. *RECOMMEND ASSEMBLY vs. INDIVIDUAL PARTS*	(1) Buttons ZERO/UNITS/PRINT + (1) NO BUTTONS for customer side Specify capacity and we will install the capacity label when assembling.	\$390 C
57807	Main Board (M64 – all applications)	For key operation, set board as 7300 model (ZERO/UNITS/PRINT)	\$375 C
59260	Y-Cable for dual displays – assembly	Supports (2) displays – cable only	\$135 C
59126-3	Brick Load Cell & cable for M64 – 500 lbs	500 lbs/250 kg capacity models	\$265 C
59126-4	Brick Load Cell & cable for M64 – 1K lbs	1000 lbs/500 kg capacity models	\$265 C
57409-8	Keypad Overlay w/buttons LB/KG models	ZERO/UNITS/PRINT	\$30 C
57409-2	Keypad Overlay w/buttons single unit models	ZERO/ADVANCE/PRINT	\$30 C
57409-1	Keypad Overlay NO BUTTONS	No buttons	\$30 C
OTHER ITEMS	CONSULT FACTORY		

M6600 SERIES LOAD CELLS – MILD STEEL APPLICATIONS

IMPORTANT: We want to be your stock load cell supplier! For volume pricing, stock units, or RENTAL SCALES, CONTACT FACTORY for attractive net pricing. Thousands of load cells IN STOCK for immediate shipment!

p/n	Capacity in lbs.	Notes:	Price – B Discount
49700-500	500 lbs. / 20' cable	Non-NTEP 65023-500-0107-10	\$175 B
49700-1	1000 lbs. / 10' cable	All 1K and 2K capacity scales 65023-A1K-5107-10	\$175 B
49700-2	2500 lbs. / 10' cable	All 5K scales 65023-2.5K-5107-10	\$175 B
49700-4	4000 lbs. / 10' cable	All 10K scales standard sizes 65023-4K-5107-10	\$175 B
49966-1	1000 lbs. / 20' cable	1K and 2K tank mounts, platforms > 60" x 60" 65023-1K-5107	\$175 B
49966-2	2500 lbs. / 20' cable	5K floor scales, also tank mounts 65023-2.5K-5107	\$175 B
49966-4	4000 lbs. / 20' cable	10K floor scales, also tank mounts 65023-4K-5107	\$175 B
49966-5SE	5000 lbs. / 20' cable SMALL ENVELOPE	Special order 10K bases, some competitors 10K scales, tank mounts 65023-5223	\$175 B
49966-5LE	5000 lbs. / 20' cable LARGE ENVELOPE	¾-16 UNF mount and through-hole replacement cell 65023-0107	\$275 B
49966-10 (LE)	10,000 lbs. / 20' cable LARGE ENVELOPE	¾-16 UNF mount and through-hole replacement cell – used in larger 20K capacity bases, tank mounts 65023-21K-0107	\$335 B
49966-20	20,000 lbs. / 20' cable	1-14 UNF mount and through-hole replacement cell – used in all 30K/40K applications	\$425 B

SS LOAD CELLS FOR FLOOR SCALES AND TANK MOUNTS – STAINLESS STEEL APPLICATIONS

Note: All 20' cables – thousands of load cells in stock for immediate shipment

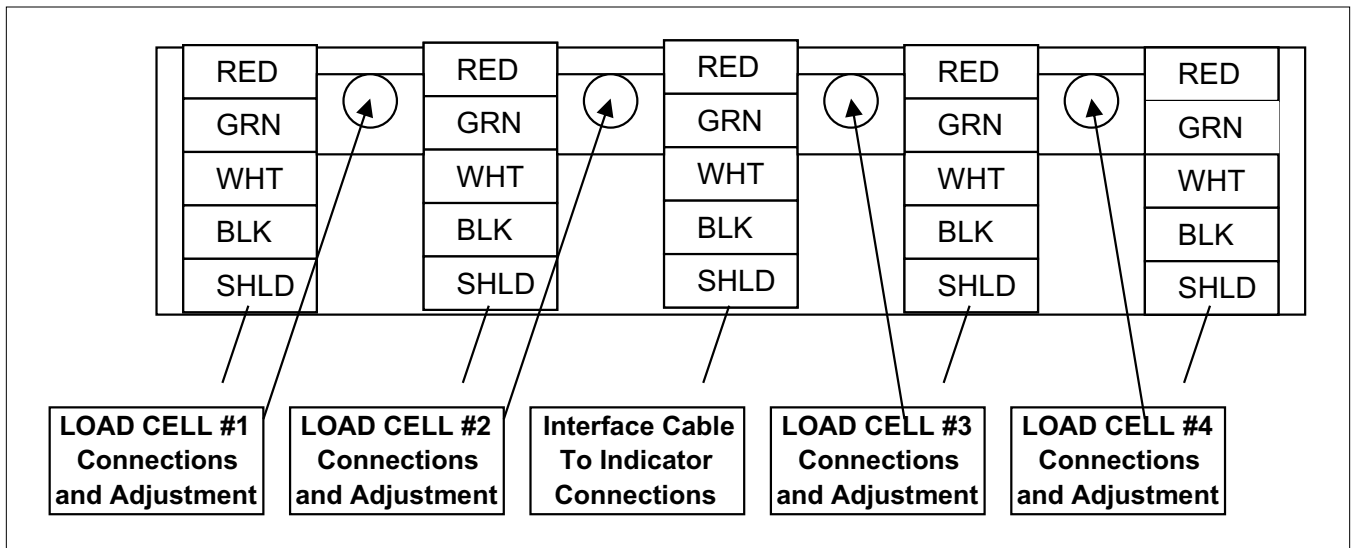
p/n	Capacity in lbs.	Notes:	Price – B Discount
49988-1	SS 1000 lbs. / 20' cable	65023S1K-5113	\$295 B
49988-2	SS 2500 lbs. / 20' cable	65023S2.5K-5113	\$295 B
49988-4	SS 4000 lbs. / 20' cable	65023S4K-5113	\$295 B
49988-10	SS 10K / 20' cable LARGE ENVELOPE	¾-16 UNF mount and through-hole replacement cell – used in larger SS20K capacity bases, tank mounts 65023S20K-5113	\$395 B
49988-20	SS20K / 20' cable	1-14 UNF mount and through-hole replacement cell – used in 30K/40K SS applications	\$895 B
57651-1 HERMETIC	SS Hermetically sealed cell, 1000 lbs. (small envelope)	65083S1K-5100	\$475 B
57651-2 HERMETIC	SS Hermetically sealed cell, 2500 lbs. (small envelope)	65083S2.5K-5100	\$475 B
57651-4 HERMETIC	20,000 lbs. / 20' cable	65083S4K-5100	\$475 B

Appendix

LOAD CELL WIRING AND POTENTIOMETER ADJUSTMENTS

The 6600 mild steel version comes with a round, CPC style connector that mates with all Pennsylvania Scale digital indicators. The Stainless Steel version 6600 comes without this connection so that the load

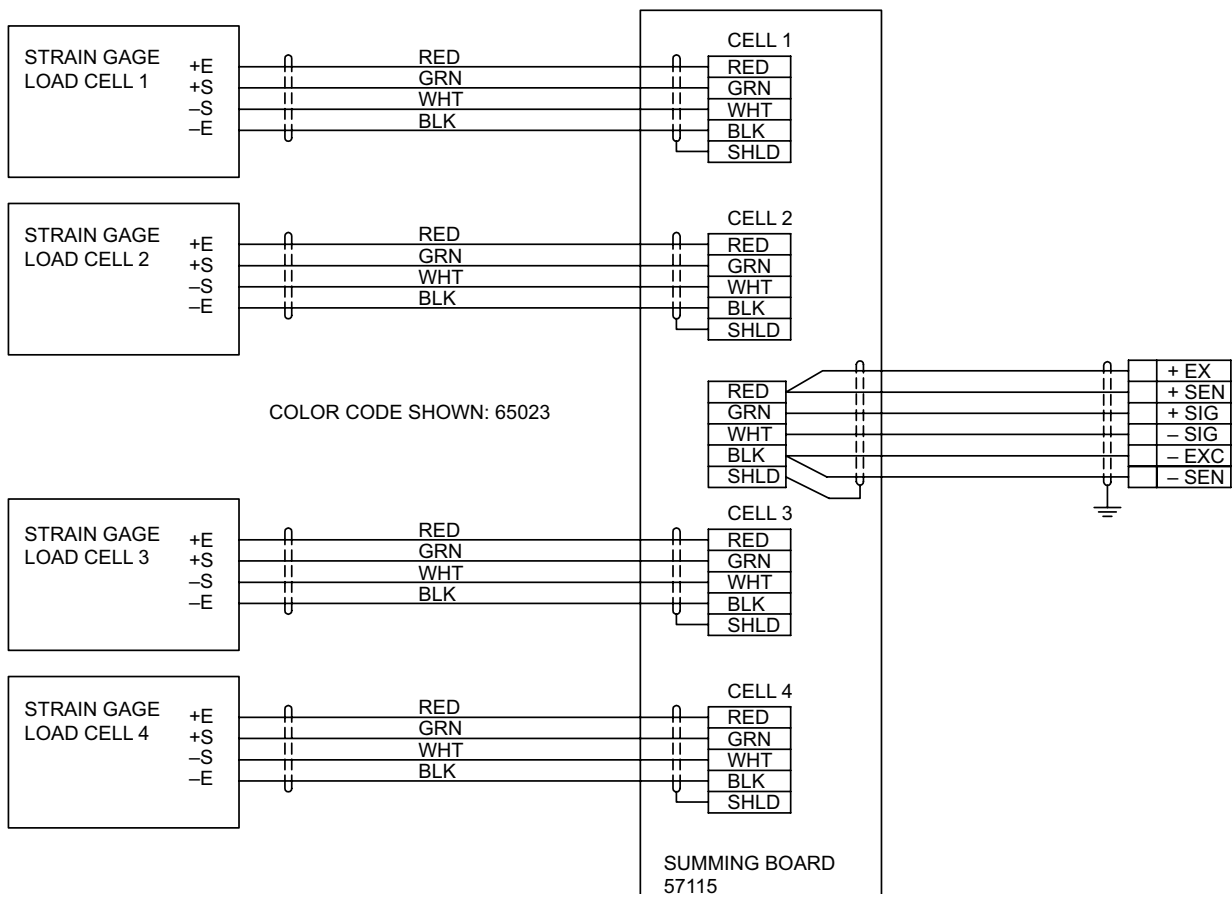
cell cable may be inserted through the watertight cable clamp used on the Pennsylvania Scale wash down indicators. The color codes, functions and pin assignments are as follows:

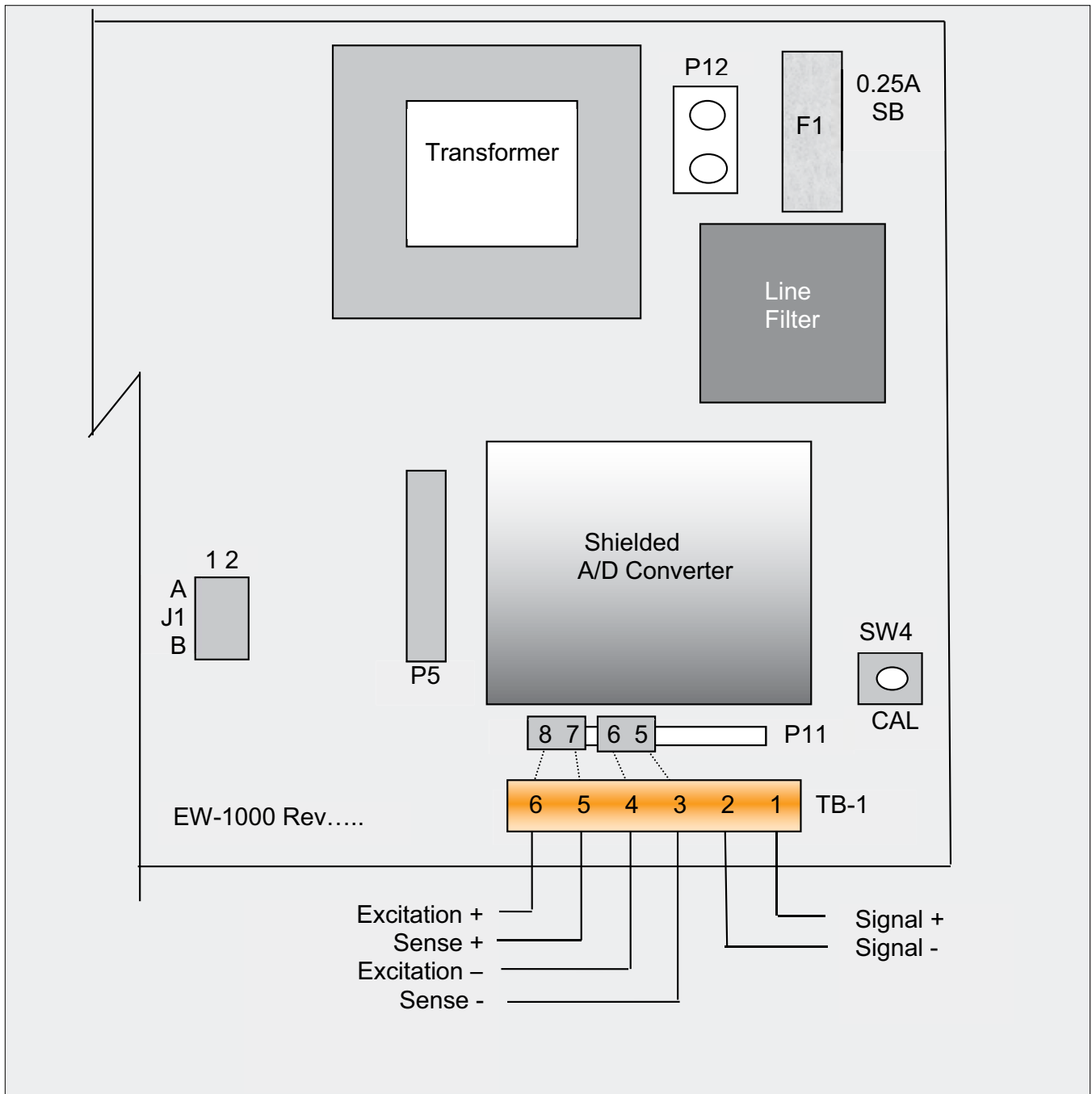


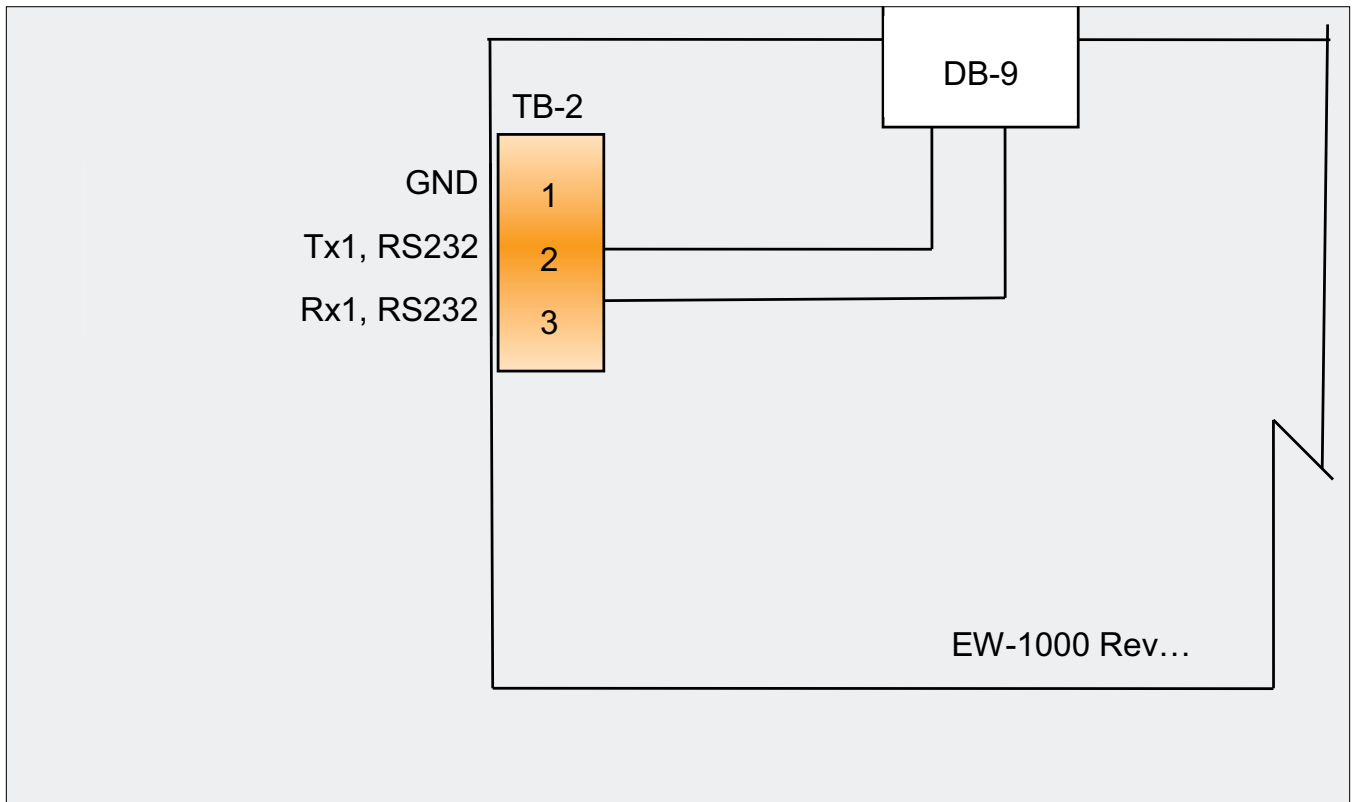
To access the junction box, remove the screws securing the small cover to the side of the base and gently pull the cover plate out.

Weighing platforms are shipped with the proper mating connector and need only to be plugged into the round CPC style connector on the back of the indicator.

CONNECTOR PIN #	FUNCTION	CABLE
1	+ Signal	Green
2	- Signal	White
3	Ground	Shield
4	Key	
5	- Sense	Black
6	- Excitation	Blue
7	+ Sense	Red
8	+ Excitation	Brown



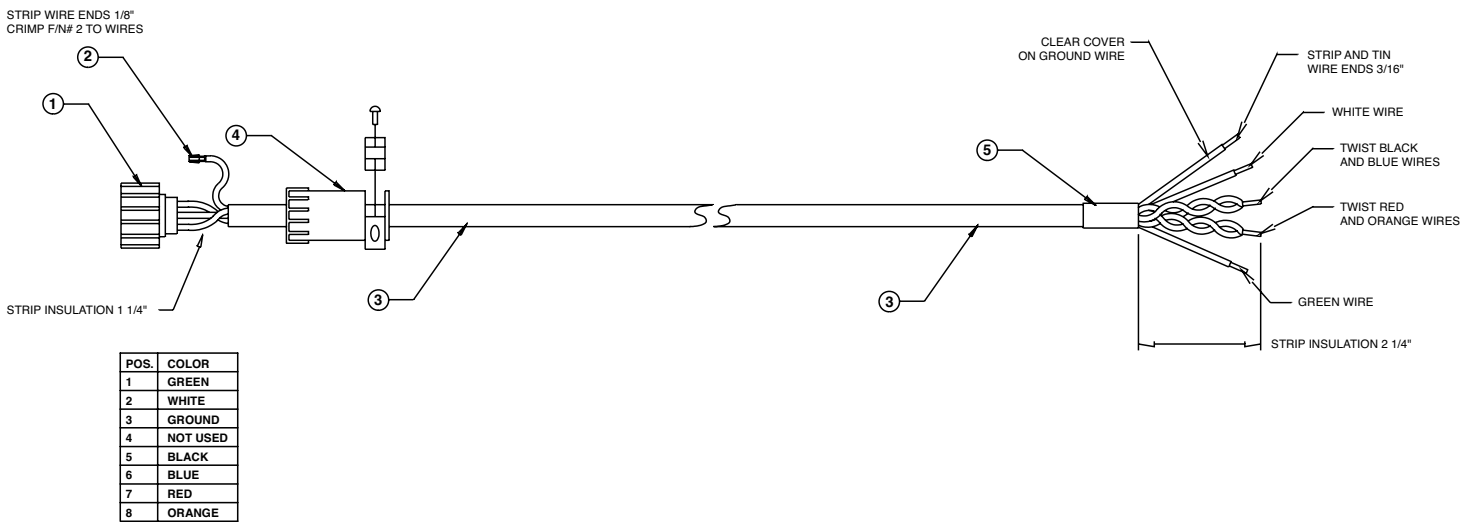
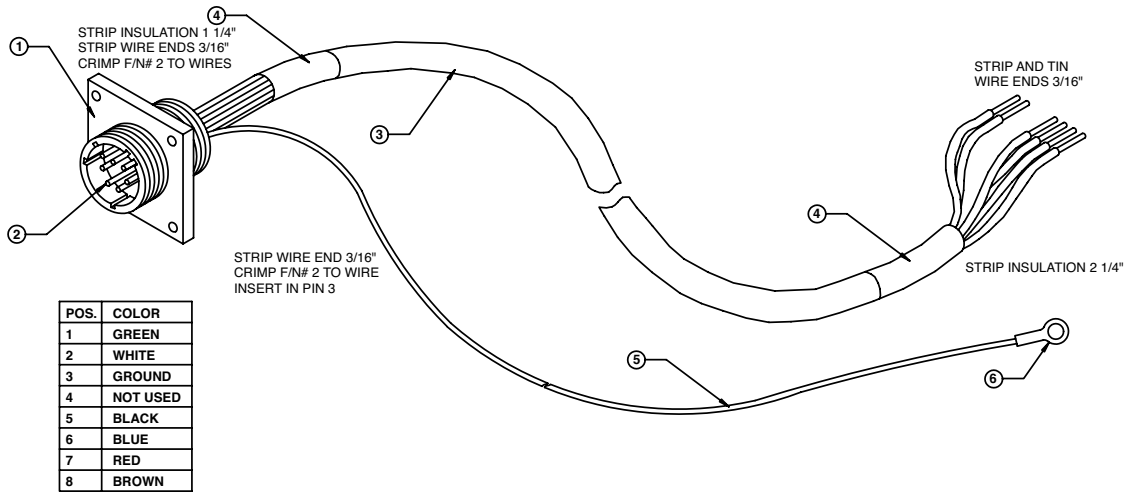




RS-232 PIN ASSIGNMENTS AND IMPLEMENTED FUNCTIONS

Connection to the Serial Port is made via a DB-9 female connector found in the access area on the bottom of the scale. Instrument connection is on TB-2.

PIN	EIA CODE	FUNCTION	DIRECTION
2	BB	Transmit Data	Output
3	BA	Receive Data	Input
5	AB	Signal Ground	



PENNSYLVANIA
SCALE  COMPANY